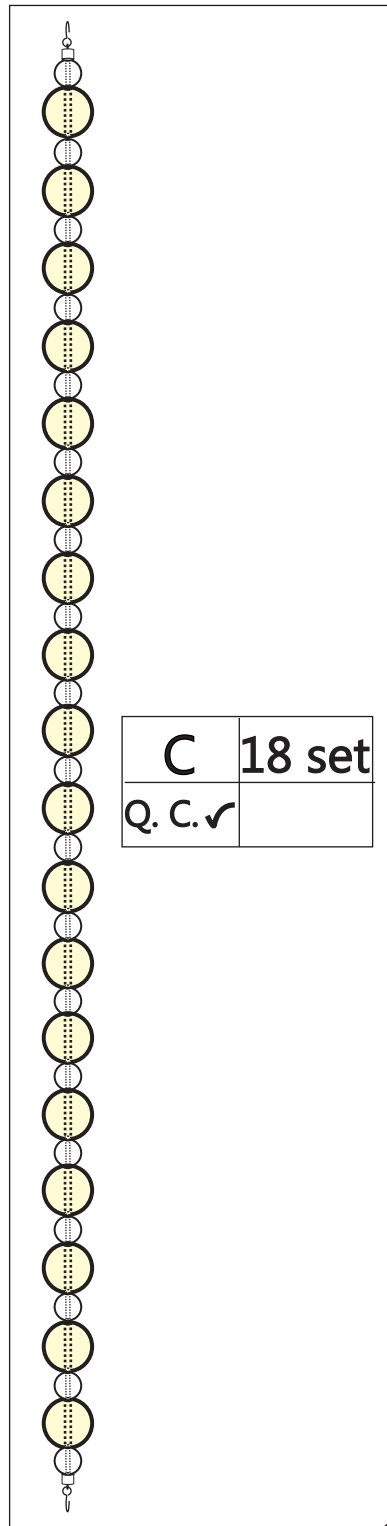
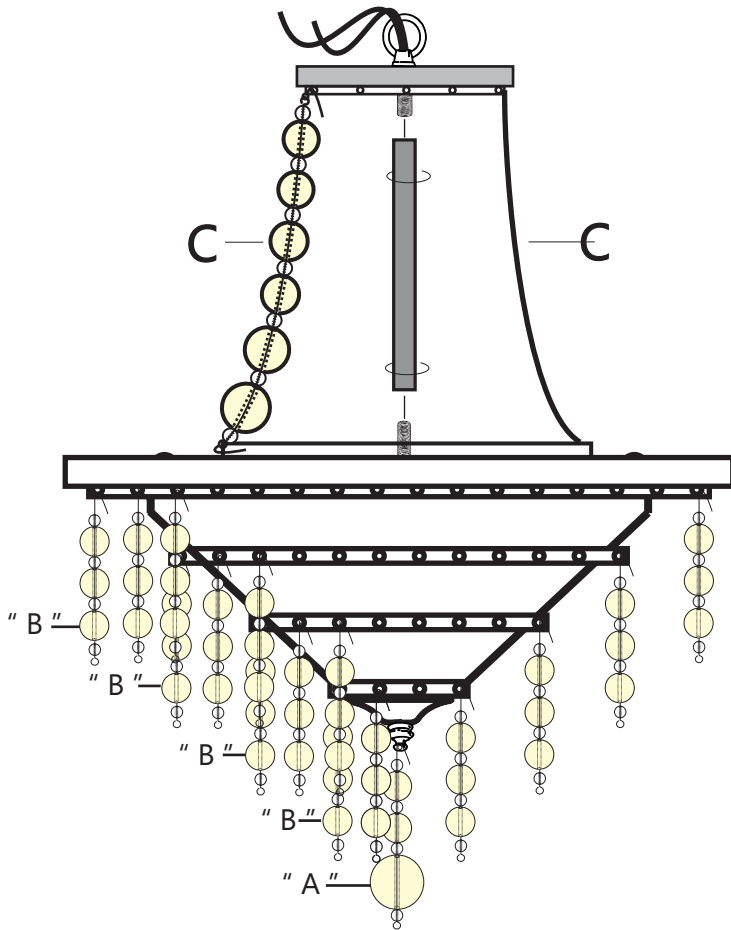
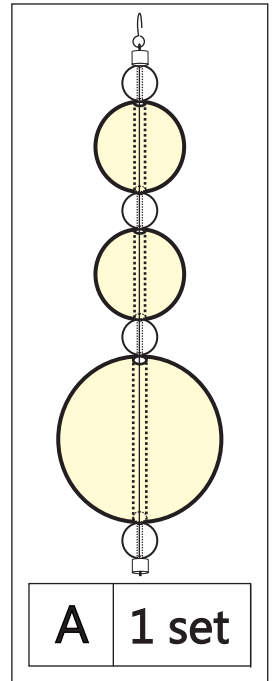


# Crystal trimming instruction

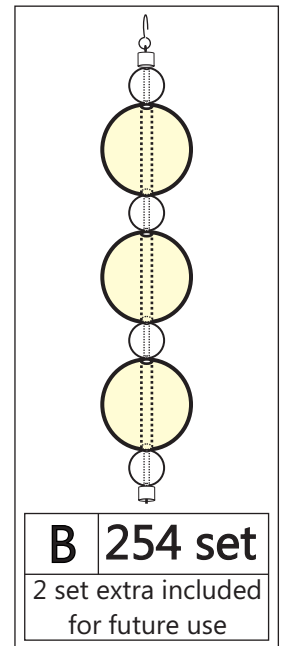
for: #639ND19



C	18 set
Q.C. ✓	



A 1 set



B 254 set

2 set extra included  
for future use

### Recommended Light Bulbs



40w G16.5 clear  
-Candelabra base (E12)  
-2" Diameter  
-2.75" MOL (Maximum overall height)



40w B8  
-Candelabra base (E12)  
-1" Diameter  
-3.12" MOL (Maximum overall height)

### CARE PACKAGE

CUSTOMER COPY  
26.10.15

Your crystal fixture is packed to include extra pins and crystal pieces for future use. These extra parts may come in handy if a piece or two is chipped or misplaced while the fixture is being untrimmed. As they may be useful in some future days, please store them safely.

#### Cleaning Instructions

Your fixture requires regular cleaning and, depending on the volume of traffic where your fixture is displayed, the frequency may vary. We recommend the following steps for cleaning. **Caution:** When Trimming or Un-trimming your fixture, never attempt to rotate or counter rotate your fixture as it may result in the risk of fire, electric shock, personal injury and property damage. **Caution:** If the fixture is displayed beyond reach, you are advised to have a professional cleaner to perform the cleaning as it may result in the risk of fire, electric shock, personal injury and property damage.

1. Retrieve the copy of Trimming Instructions, packed with the fixture when it was purchased.
2. Study and Identify all the crystal strands from the trimming instructions and the fixture. Please note how the fixture was trimmed originally, the strand "A" was trimmed first. However, when un-trimming the fixture, the order is backwards. With care, remove, starting from the higher alphabetic number first, all the identical strands of crystal, place them aside, and make a note to label these strands of crystal according to the trimming instruction.
3. Continue to un-trim as 2 above until you reach the last strand labeled "A".
4. With a lint-free cloth and some lukewarm water solution, mixed at a ratio of 100 parts water to 1 parts of white vinegar, wipe each of the crystal strands clean until satisfactory.
5. Ensure the power to the fixture is turned off and the light bulbs are cooled down, use a lint-free cloth and ring out dry with some lukewarm water, mixed as 4 above, wipe the fixture clean until satisfactory. **Caution:** ensure no water is dripped into any electrical components as it may result in the risk of fire, electric shock, personal injury and property damage.
6. Re-trim your fixture, starting from the strand "A", until the last strand is complete.

**CAUTION: RISK OF ELECTRICAL SHOCK. Make sure the electrical supply to the chandelier is turned off at the main fuse or circuit breaker before doing any installation. Safety Information: Important! For your protection and safety, carefully read and understand the information given on this sheet before beginning installation. Failure to do so may lead to fire, electric shock, personal injury and property damage.**

Note to electrician:

1. All electrical connections must be in agreement with local codes, ordinances or the national electrical code. This product must be installed in accordance with the applicable installation code by a person familiar with the construction and operation of the product and the hazards involved.
2. Turn off electricity at the main fuse box (or circuit breaker box) before beginning installation by switching circuit breaker off or removing fuse.
3. Do not connect this fixture to a non-grounded electrical system. (See wiring below) Warning: installing this fixture into a non-grounded electrical system could allow metal parts of fixture to carry electrical current if any fixture wires, wire connections or splices become broken or loose. Under this condition, anyone coming in contact with fixture is subject to electrical shock, which could cause injury of death.
4. Do Not suspend any fixture by the house wires. A fixture must always be mounted directly to an outlet box or to a cross bar which is first attached to outlet box. Wire connections will not support the weight of a fixture. Suspending a fixture by the wires will result in the fixture falling, with the possibility of injury and the danger of electrical shock or fire.
5. Be careful not to damage or cut the wire insulation (covering) during installation. Do not permit wires to contact any surface having a sharp edge. Doing so may cause serious injury or death from electrical shock.
6. Do not use lamps (bulbs) having a wattage greater than the maximum value stated on the fixture. Doing so may cause the risk of fire.
7. If a dimmer control switch is used, obtain professional advice for the correct type and electrical rating required.

#### **WIRING AND INSTALLATION INSTRUCTIONS:**

**THIS PRODUCT MUST BE INSTALLED IN ACCORDANCE WITH THE APPLICABLE INSTALLATION CODE BY A PERSON FAMILIAR WITH THE CONSTRUCTION AND OPERATION OF THE PRODUCT AND THE HAZARDS INVOLVED ( Manufacturer recommends a certified electrician should always be employed for the installation and wiring of the fixture )**

**Step 1:**  
Attach crossbar to outlet box with machine screws (found in outlet box). Crossbar must be used to provide grounding of fixture.

**Step 2:**  
Turn nipple into threaded hole in crossbar. Turn locknut onto nipple. Remove screw loop from loop. Turn loop onto nipple. Place canopy up against ceiling and adjust nipple to leave about 3/8" protruding through canopy. Remove canopy and tightly lock nipple in place by turning lock up against crossbar.

**Step 3:**  
Assemble one end of chain to fixture loop by opening chain link and closing it around loop.

**Step 4:**  
Weave the two conductor cord and the bare ground wire through the chain about every third link. Slide screw loop down chain. Slide canopy down chain.

**Step 5:**  
Adjust chain length and wire lead length at this time for desired hanging height of fixture. Leave at least 6" to 8" of leads beyond end of chain.

**Step 6:**  
Open last chain link then lift chain and fixture up to ceiling and hook open link through hanger loop. Close chain link.

**Step 7:**  
Insert wire leads and ground wire up through hole in loop and nipple into outlet box for easier wiring. Then connect identified lead (ribbed or tinned), to white house wire, connect unidentified lead to black house wire. Turn green ground screw into hole provided in crossbar and wrap bare fixture ground wire around ground screw one full turn clockwise. Tighten screw. Connect remaining end of fixture ground wire to house ground, as shown or to a proper grounded outlet box. Make all connections with UL / CSA approved wire connectors ( not included ). Caution never attach bare ground wire to black or white house wires.

**Step 8:**  
Place all wires and connectors back into outlet box making sure there are no loose nuts or bare leads in outlet box. Slide canopy up to ceiling and hold in place by turning screw loop onto loop.

**Step 9:**  
Screw bulbs into all sockets with proper size bulbs noted on the wattage labels found on the fixture.

