



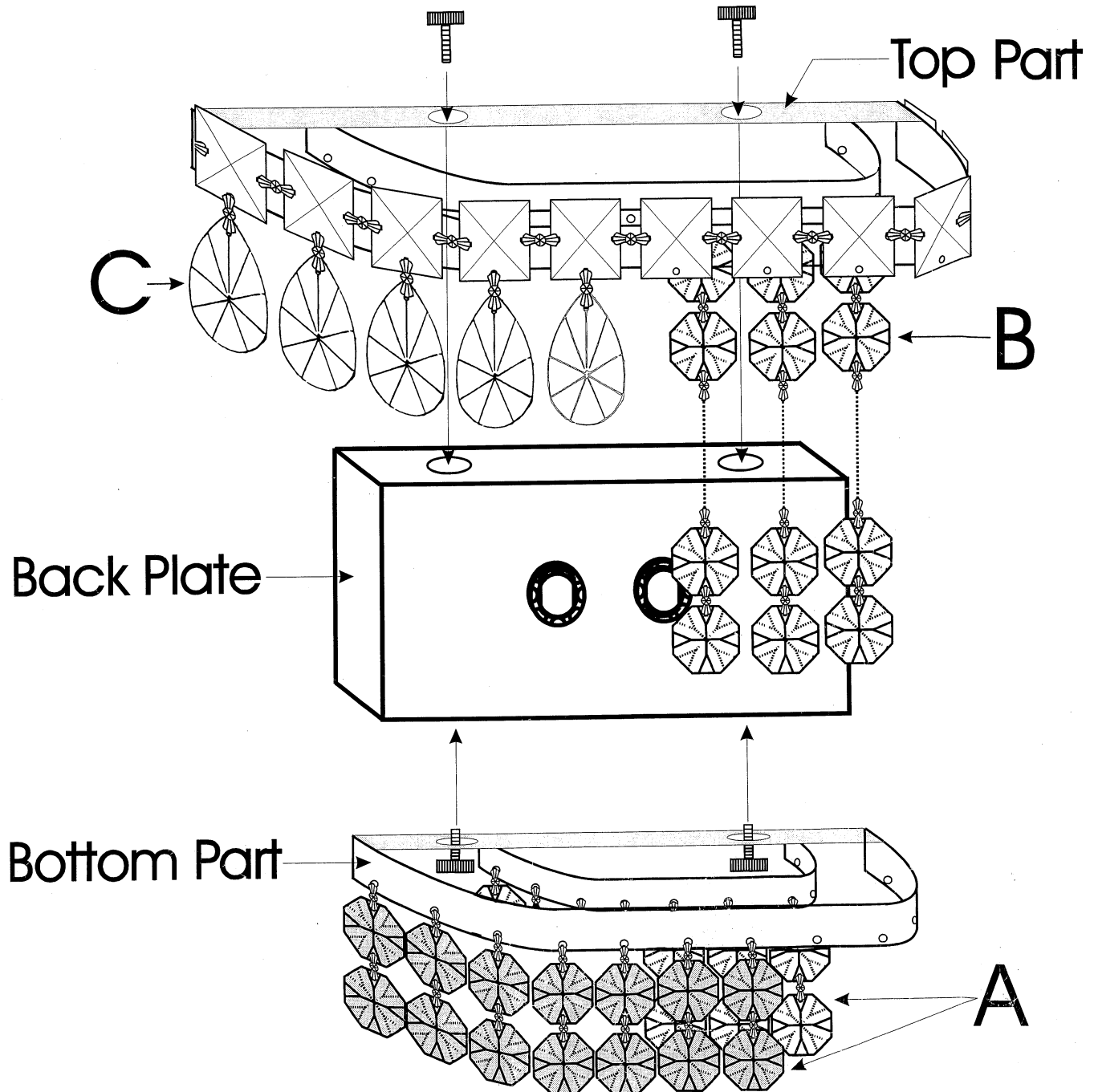
GLOW® Lighting Inc.

**Crystal trimming & Frame
assembly instruction**

For: # 551AW21/W22/W23/W24

CAUTION: RISK OF ELECTRICAL SHOCK.

Make sure the electrical supply to the chandelier is turned off at the main fuse or circuit breaker before doing any installation. All electrical components must be installed by a licensed electrician in accordance with the National Electric Code and the appropriate local electrical codes.



CUSTOMER COPY
3.01.2003